

Vinyl Insulated Pin Terminals

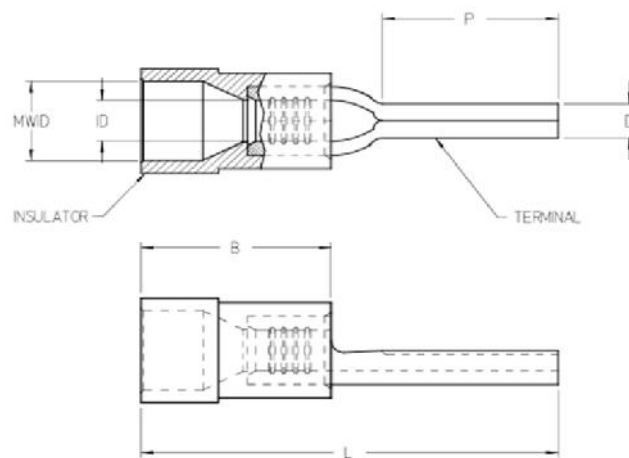


Drawn - SD

Approved - KM

Material - Tin Plated Copper / Vinyl Insulation

Title - Vinyl Insulated Pin Terminals



Part Number	Wire Range	Insulated Color	Electrical Rating Max	ID	OD	B	D	P	L
PT-22V	22-18 AWG	RED	75C / 300 Volts	0.055	0.145	0.410	0.078	0.350	0.930
PT-16V	16-14 AWG	BLUE	75C / 300 Volts	0.081	0.175	0.410	0.078	0.350	0.930
PT-12V	12-10 AWG	YELLOW	75C / 300 Volts	0.126	0.250	0.560	0.107	0.410	1.120